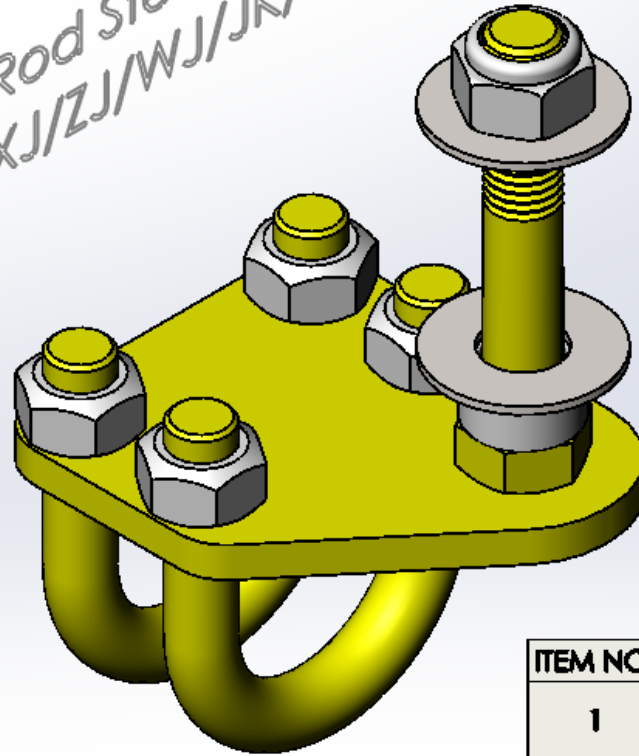


5200940 Jeep Tie Rod Steering Stabilizer Mount
 (1984 & Up, TJ/LJ/XJ/ZJ/WJ/JK/JL)
 1.32 lbs



ITEM NO.	PART NUMBER	DESCRIPTION	QTY.
1	33224	1/2" x 1.250" OD Low Carbon Zinc Finish Steel	2
2	40171	M12-1.75 DIN 985 Class 8 Zinc Finish Steel Nylon Insert Lock Nut	1
3	40722	M12-1.75 x 70mm DIN 931 Class M12-1.75 x 70mm DIN 931 Class 10.9 Plain Finish Hex Cap Screw	1
4	5200940A	Stabilizer Mount	1
5	AS75-22-28	Aluminum Spacer 3/4 OD x .509 ID x 7/16 Long	1
6	Spicer 3-94-28X	U-Bolt Kit	1